

# Amobi

## Agile Learning Spaces



A M Q

# Amobi — Meeting the Future of Learning

Today's students have a more collaborative and agile style of learning, yet many education spaces remain linear and static.





---

# The new learning spaces are more flexible and fluid.

Amobi recognizes the need for rapid reconfiguration as students move from collaborative to private work throughout the day.



# Amobi Agile Learning Spaces



Me + We



Fixed to Fluid

Ease  
Integration  
Flexibility

Today's most dynamic learning spaces are no longer static, but are reimagined with mobility and agility in mind, easily designed as both "me" and "we" spaces.

Amobi Desk and Team meet the need for the integrated way we learn today – both solo and collaboratively, with a fluid sense of flexibility to reconfigure as needs change throughout the day.

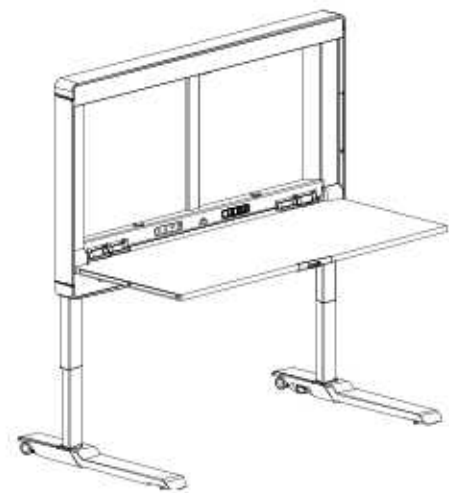


# Amobi Desk

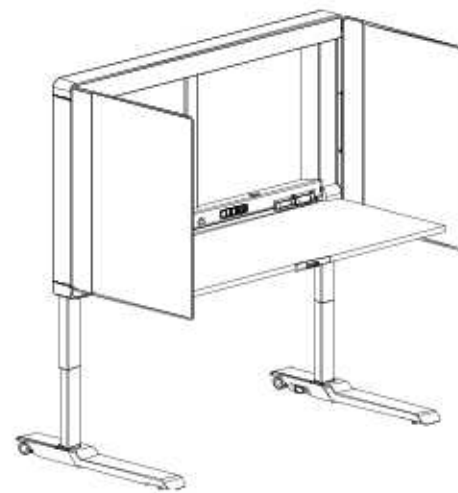
2 mobile / foldable desk options



Optional monitor arms, modesty panels and LED lights are also available for Amobi Desk.



Amobi Desk/One



Amobi Desk/Focus

**Amobi Desks** are mobile workstations that arrive pre-assembled and easily transport and fold up to store when not in use. Choose **Desk/One** for an open workstation or **Desk/Focus** with magnetic side panels that offer additional privacy.



# Amobi Team

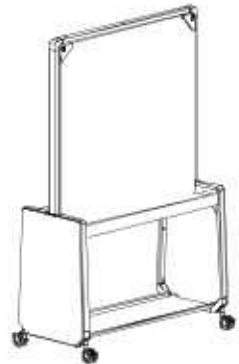
7 styles to customize to your space needs



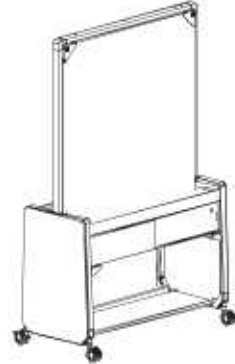
The Amobi Team collection of mobile carts, walls and storage creates collaborative hubs as well as spontaneous space division.



Amobi Team Wall



Amobi Team Half Wall



Amobi Team Half Wall with Storage



Amobi Team Display



Amobi Team Display with Storage



Amobi Team Cart



Amobi Team Cart with Storage

**Amobi Team** is a family of mobile carts and walls that provide collaboration hubs, team storage and space division. Use alone or integrated with Amobi Desk for spaces that are dynamic and adaptable to changing needs throughout the day.



## Ease

Seamlessly move throughout the day  
between collaborative and focused work

Amobi creates dynamic spaces that are  
reimagined and reconfigured in seconds.



**Integration** Fully equipped workstations with power, lighting, collaboration boards, monitor arms and modesty panels

Amobi Desks arrive pre-assembled for an "unpack and go" workstation whether ordered as Desk/One or Desk/Focus, with magnetic side panels that wrap around the back.





**Flexibility** Rapidly reconfigure as needs evolve —  
with streamlined storage when not in use

Tackable felt, erasable whiteboards and bright blue user touchpoints make Amobi easy and intuitive.



**Hubs** Amobi Team makes collaboration easy with mobile walls, carts and storage

Amobi Desk and Team products are designed for seamless integration, available in our 10-color Verve felt colorways, whiteboard and Platinum or White frames and bases.



**User Controlled** Individuals and teams are empowered to redesign and reconfigure their space as needed

Amobi Team Walls and storage are felted, offering acoustical value, tackable functionality and a soft landing for your valuables.



**Agile/Mobile** The cornerstone of Amobi is its ability to adapt to changing needs throughout the day

Accessories like monitor arms and LED lighting with occupancy sensing and dimming control create high-function, yet mobile, workstations.



## Flexible Boundaries

Your work isn't static,  
and neither is Amobi

Use Privacy Screen Connectors to daisy chain Amobi Desks together and create impromptu space division and additional collaborative surfaces.

# Amobi Desk Details



Amobi Desk offers the largest height range on the market, accommodating more than 90% of users.



Resist Hinges allow users to quickly transition from storage mode to working mode. Includes built-in lift assist and soft closure.



Amobi user control touchpoints (castor lock, foot lock, handle, handset) have a bright blue visual indicator for ease of use.



Monitor Arms snap into the desk frame, freeing up worksurface space – and allowing for easy monitor installation via Quick-Connect VESA plates.



Amobi Desk/Focus includes magnetic side panels that hold reference materials via magnets and attach to the worksurface, easily wrapping around the back when not needed.



Felt Modesty panels in 10 Verve colors can be added to Amobi Desk for additional privacy.



Rotating feet lock in 3 positions (straight, 45° and 90°) to accommodate storage, transport and work modes.



Integrated LED Task lighting includes occupancy sensing and dimming control.



Both Desk styles come with an acoustic panel to soften noise and contribute to a more focused work environment.



Amobi Desk includes a back Collaboration Board that can be specified in either whiteboard or tackable felt, and is easily interchanged via a quick release button.



Amobi Desk Includes 3 power outlets and USB A+C, which bridges the gap between existing and new technology platforms for an inclusive design that works for everyone.



Simply fold up Amobi Desk and store when not in use.

## Amobi Accessories Details



Undermount cubby provides personal storage on Amobi desk. Can be adjusted to fit on either side of desk using a hand screw to secure to the worksurface.



Desktop Cable Organizer sits magnetically on Amobi desk to provide a place to store access cables and keep the worksurface clear.



Magnetic pencil, utility and file holders work great on Amobi desk to keep things organized and off the worksurface.



Thread is dynamic grid-based power distribution which seamlessly integrates into space without impacting foot traffic or furniture mobility.



Magnetic Accessory Clips add display functionality to Amobi Desk side panels and doubly function as power cord management.



Privacy Screen Connectors connect adjacent Amobi Desk magnetic side panels to provide additional collaborative surfaces.

## Amobi Team Details



Amobi Team Walls are available either full or half size in felt tackboard and whiteboard, creating collaboration hubs wherever needed.



Amobi Team Display allows for storage of work tools, personal or decorative items and shared reference materials.



Amobi Team Carts are available with either open storage or with enclosed storage bins.



Felt Inlays line the upper and lower trays, helping to reduce sound and provide soft, protective storage spaces.



All the felt components of Team are available in our 10 Verve colorways, ranging from cool greys and blues to warm hues of red, green and yellow.

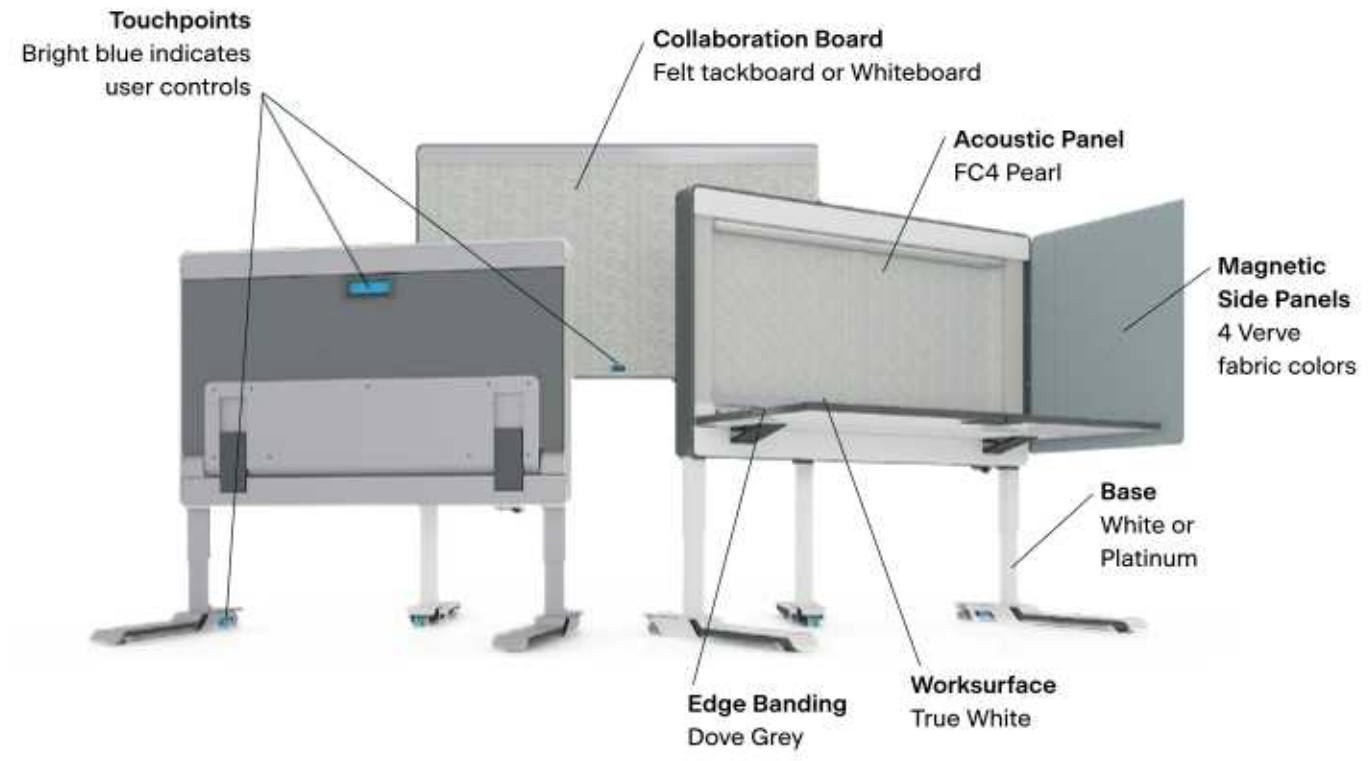


Felt Baskets offer additional storage and organization within Amobi Team areas.

# Amobi Desk Finishes



\* Collaboration boards only



# Amobi Team Finishes







Design your Amobi space at  
[amqsolutions.com/AMOBI](https://amqsolutions.com/AMOBI)



